

Palace wood

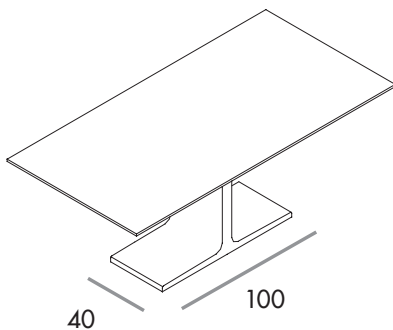
design Lievore Altherr Molina

Tavolo con base in inox satinato o metallo laccato, varie finiture. Top in legno, varie finiture

Dining table with base in mat stainless steel or in lacquered metal, various finishes. Wood top, various finishes.

SOVET
ITALIA

FORME E DIMENSIONI / SHAPES AND DIMENSIONS



240x120x74h

FINITURE STRUTTURA / STRUCTURE FINISHES

Acciaio Inox/Stainless steel



IX

Metallo laccato/Lacquered metal



GB GN GT GC

* Top in ceramica laminato: 6 mm ceramica + 8 mm vetro

Laminated ceramic top: 6 mm ceramic + 8 mm glass

FINITURE TOP / TOP FINISHES

LEGNO
WOOD

RN/RG/WG/NC



RN



RG



WG



NC