

DOMITALIA

OK-8

Design

Domitalia Design

Material

Anodized aluminium or black anodized aluminium frame, to be fixed to wall.

Size and weight

lbs 94 - cu ft 2 - 4 boxes

(ripiani vetro - glass shelves)

lbs59½ - cu ft2 - 4 boxes

(ripiani legno - wooden shelves)

Finishes



AN



ANE



VS



VNO



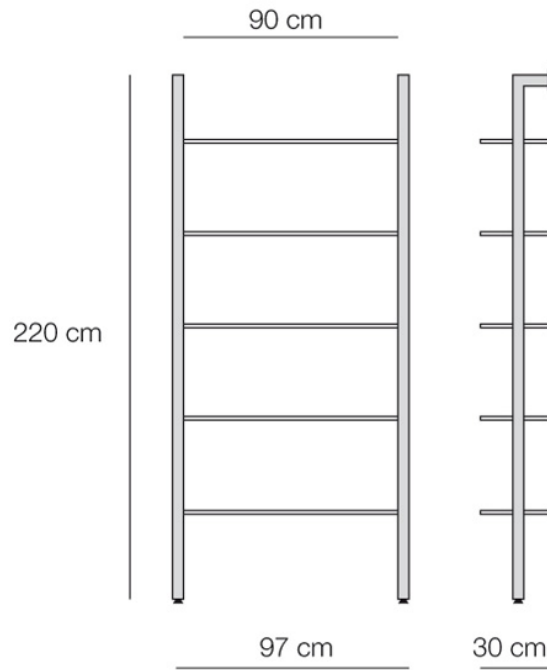
RM



LTO



LBO



OK-8

